

Industrial Range

MODEL
BGH500

FORCE CALIBRATOR



Hydraulic
Force
Calibrator

Primary Standard
for
Force
Calibration

▶ Range to 50kN

▶ Works with
Budenberg BGH
Series Dead Weight
Testers

▶ Standard
Accuracy to 0.05%

▶ Piston Area 20cm²



Budenberg

Industrial Range

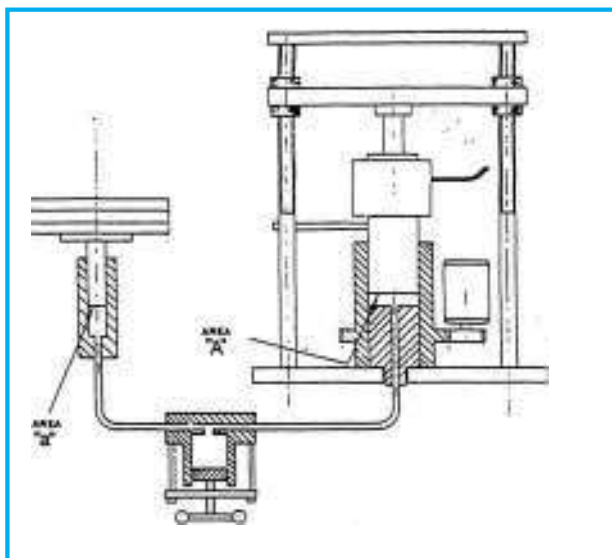
MODEL BGH500

Hydraulic
Force
Calibrator

Primary
standards for
Force Calibration

Standard Accuracy to 0.05%

RANGE: 50kN



PRINCIPLE OF OPERATION

The load is applied by a piston in a revolving cylinder to which a known hydraulic pressure is admitted. The cylinder and piston are accurately machined to give a known effective area; no packing or oil seal is fitted ensuring that there is no longitudinal friction between the piston and cylinder so that the force exerted is directly proportional to the pressure applied.

The press can be used in conjunction with a dead-weight pressure tester as illustrated above. In this form it may be regarded as a force multiplier, by which the weight of the weights applied to the piston (area a) is multiplied by the ratio A/a to give the force applied to the cell being calibrated.

Recommended Accessory

MODEL BGH300

Hydraulic Dead-
Weight Tester -
Primary standard
for Pressure
Calibration

Standard Accuracy to 0.015%
Class A with UKAS
Calibration Certificate 0.006%
RANGE: 300 Bar



DIMENSIONS (mm)

Width 250,
Depth 330,
Height 620.
Maximum gap piston/crossbar 300.
Gap between pillars 175

ACCESSORIES

There are many accessories which can be supplied for use with the Dead-weight testers. These include liquid / liquid seals, two gauge stands and many others. Budenberg have extensive experience in the use of Dead-weight testers and can supply accessories for many applications. A separate data sheet of accessories is available.

Recommended Oil

A mineral based hydraulic oil, within the Viscosity Grade VG15 to VG37 to ISO 3448 (BS.4231) is recommended.

SPARES, REPAIR AND RE-CERTIFICATION

Comprehensive service and calibration capability of both Budenberg and non Budenberg test equipment:
Dead-weight Testers (working service or full overhaul).
Portable calibrators (Budenberg & non- Budenberg).
Comparators.
All accuracy ranges can be supplied with UKAS Calibration Certificates.
Certification traceable to national standards. Rapid turn-around times and hire items available as a temporary replacement for strategically important plant.

For further information on Accessories, Repairs & Recertification contact Budenberg and ask for a Data sheet.



Budenberg Gauge Co. Ltd.

Unit B2 Stuart Road
Altrincham Business Park,
Altrincham WA14 5GJ

Tel: +44 161 777 7300.

Email: sales@budenberg.co.uk

Budenberg Gauge Pvt. Ltd.

299-300, IInd Main Road,
Nehru Nagar,
Old Mahabalipuram Road (OMR) ,
Chennai - 600 096,
Tamil Nadu , India

Tel : +91 44 24541074

Tel/Fax: +91 44 24541075

Email: sales@budenberg-gauge.in

Budenberg Gauge Asia
Pacific Ltd

Unit 109 Cheung Fat Ind Bldg
64-76 Larch St Tai Kok Tsui
Kin
Hong Kong

Tel : +852 3709 0020

Email: sales@budenberg-gauge.asia

Budenberg Middle East LLC

PO Box 18980
Dubai
United Arab Emirates

Tel: +971 4 2511670

Email: sales@bme-me.com