

GAS EXPANSION THERMOMETER NITROGEN IN STEEL



An impressive technical specification and wide range of standard features make this thermometer the optimum choice for a wide range of process and engineering applications.

Primarily designed for the harshest of environments the model 44FG is especially suitable for places which are subject to high ambient temperatures (due to its inbuilt temperature compensation) and where long lengths of capillary tubing are required between the bulb and the gauge head.

Built to meet EN-837 the 44FG is manufactured to compliment the Budenberg ranges of pressure gauges. We can also supply Bi-Metallic thermometers and are able to offer all types with Thermowells

Size

150mm (6")

Mounting

Direct (Rigid Stem), Surface and Flush (Distance Reading)

Case & Bezel

Vinyl coated Cast Iron (Weatherproof)

Scale Ranges

-35 to 600 deg C

With a minimum range of 100 deg C

Single and dual scales are available

Bulb Material

316 Stainless Steel

Over-temperature

Units can be built to withstand significant over range temperatures on request.

Connection Sizes

3/4" BSP standard

1/2" or 1" BSP/NPT (Others available on request)

Connection Material

Stainless Steel as standard

Accuracy Class

CL:1 1.0% of FSD to BS EN 13190:2001.

Bulb Diameter

14.3mm as standard

Other non standard sizes available as an option

Bulb Length

Varies with temperature range and diameter of dial.

Environmental Rating

IP66 specified with weatherproof cast iron case.



Dial

White Anodised Aluminium marked in black finish
Single or dual scale

Pointer

Stainless steel coloured black

Options: Set pointer available

Movement

Brass

Fitted with oil impregnated sintered bronze bushes
Bi-metallic temperature compensator.

Window

3mm Laminated Safety Glass (Standard)

Option: Acrylic Plastic Window

Traceability

All instruments are individually calibrated and have an unique Serial Number printed on the dial. A Certificate of Conformity Traceable to National Standards is Supplied Free of Charge Full Calibration certificates available at extra charge.

Distance Reading options

Capillaries can be supplied in Stainless Steel as standard

Optionally with PVC or nylon reinforced PVC covering.

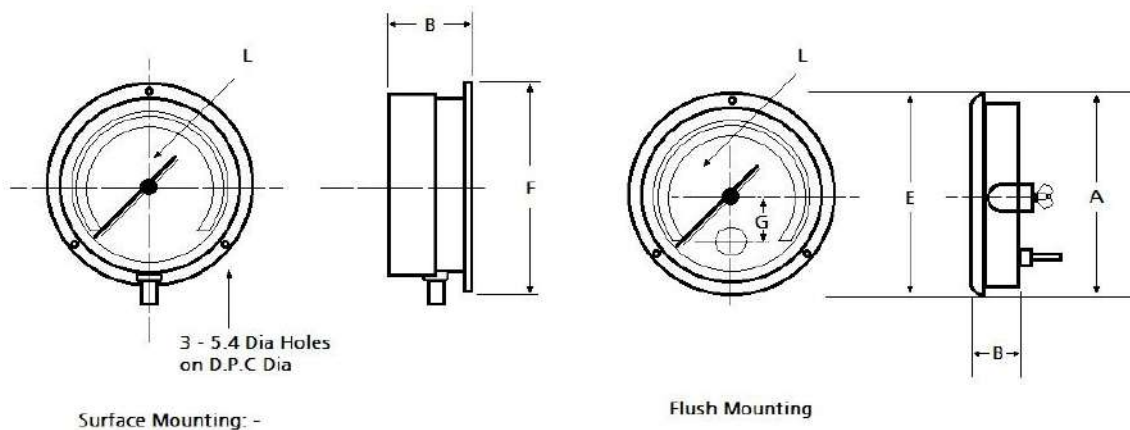
Capillary lengths of up to 35m can be specified.

Contacts and Switches

44FG thermometers can be provided with:

Model 144 Magnetic Assisted switches

Model No	B	F	L
44FG Weatherproof	66.5	215	410



3 - 5.4 Dia Holes on D.P.C Dia

Surface Mounting: -

Flush Mounting

Options

- Case : Weatherproof
- Bulb Matl: Stainless Steel
- Conn size: 1/2" or 1" BSP/NPT (Others on request)
- Bulb dia: non standard sizes available
- Switches: Single or double magnetic switches.
- Pointer : Set pointer

Bulbs

As standard the 44FG thermometer is supplied with a type AS bulb of fixed insertion length as standard
 Other bulb types are available to suit your application:
 AR - Sliding gland, removable element
 AP - Plain bulb, for fixing to outside of pipes. Can be fitted with a saddle clamp
 E - Insulated bulb for use with machine bearings
 Bulkhead mounting bulbs and bendable necks are available on request.

Accessories

A wide range of thermowell styles and materials are available - See separate datasheet for details.

